

# ASSEMBLY GUIDE | GUIDE D'ASSEMBLAGE GUÍA DE MONTAJE | MONTAGEANLEITUNG | GUIDA DI MONTAGGIO

MODEL / MODÈLE / MODELO / MODELL / MODELLO : PB2BPGG  
PART / PIÈCE / PARTE / TEIL / PARTE : 10752, 10753, 10754



# PIT BOSS®

## PORTABLE GAS GRILL

IMPORTANT, READ CAREFULLY, RETAIN FOR FUTURE REFERENCE. MANUAL MUST BE READ BEFORE OPERATING!

## GRIL À GAZ PORTABLE

IMPORTANT, PRENEZ CONNAISSANCE DE CE DOCUMENT ET CONSERVEZ-LE POUR RÉFÉRENCE ULTÉRIEURE. VOUS DEVEZ LIRE CE GUIDE AVANT D'UTILISER LE BARBECUE!

## BARBACOA DE GAS PORTÁTIL

IMPORTANTE, LEER DETENIDAMENTE, CONSERVAR PARA REFERENCIA FUTURA. LEA EL MANUAL ANTES DEL USO!

For outdoor and household use only. Not for commercial use.  
Réservé à l'usage extérieur et résidentiel uniquement. Non destiné à un usage commercial.  
Solo para uso doméstico y en el exterior. No apto para uso comercial.  
Bitte nur im Freien und privat nutzen. Nicht für die gewerbliche Anwendung geeignet.  
Solo per uso domestico ed esterno. Non per uso commerciale.

**WARNING:** PLEASE READ THE ENTIRE MANUAL BEFORE INSTALLATION AND USE OF THIS GAS APPLIANCE. FAILURE TO FOLLOW THESE INSTRUCTIONS COULD RESULT IN PROPERTY DAMAGE, BODILY INJURY OR EVEN DEATH. CONTACT LOCAL BUILDING OR FIRE OFFICIALS ABOUT RESTRICTIONS AND INSTALLATION INSPECTION REQUIREMENTS IN YOUR AREA.

**AVERTISSEMENT :** VEUILLEZ LIRE L'INTÉGRALITÉ DU MANUEL AVANT INSTALLATION ET UTILISATION DE CET APPAREIL À GAZ. LE NON-RESPECT DE CES INSTRUCTIONS PEUT ENTRAÎNER DES DOMMAGES MATÉRIELS, DES DOMMAGES CORPORELS OU MÊME LA MORT. CONTACTEZ LES AUTORITÉS LOCALES COMPÉTENTES CONCERNANT LES RESTRICTIONS ET LES EXIGENCES D'INSPECTION EN VIGUEUR DANS VOTRE RÉGION.

**ADVERTENCIA:** LEA TODO EL MANUAL ANTES DE MONTAR Y USAR ESTA BARBACOA DE GAS. SI NO SE SIGUEN ESTAS INSTRUCCIONES, PUEDEN PRODUCIRSE DAÑOS MATERIALES, LESIONES CORPORALES O INCLUSO LA MUERTE. PÓNGASE EN CONTACTO CON LOS ADMINISTRADORES DEL EDIFICIO O CON LOS BOMBEROS PARA CONSULTAR LAS RESTRICCIONES Y LOS REQUISITOS DE INSPECCIÓN DE LAS INSTALACIONES DE SU ZONA.

**ACHTUNG:** BITTE LESEN SIE DIE GESAMTE ANLEITUNG SORGFÄLTIG DURCH, BEVOR SIE DIESER GASGERÄT AUFSTELLEN UND BENUTZEN. DIE NICHTBEACHTUNG DIESER ANWEISUNGEN KANN ZU SACHSCHÄDEN, VERLETZUNGEN ODER SOGAR ZUM TOD FÜHREN. FÜR EINSCHRÄNKUNGEN SOWIE MONTAGE- UND KONTROLLAUFLAGEN IN IHRER REGION WENDEN SIE SICH AN DIE GEBÄUDE- ODER BRANDBEAUFTRAGTEN VOR ORT.

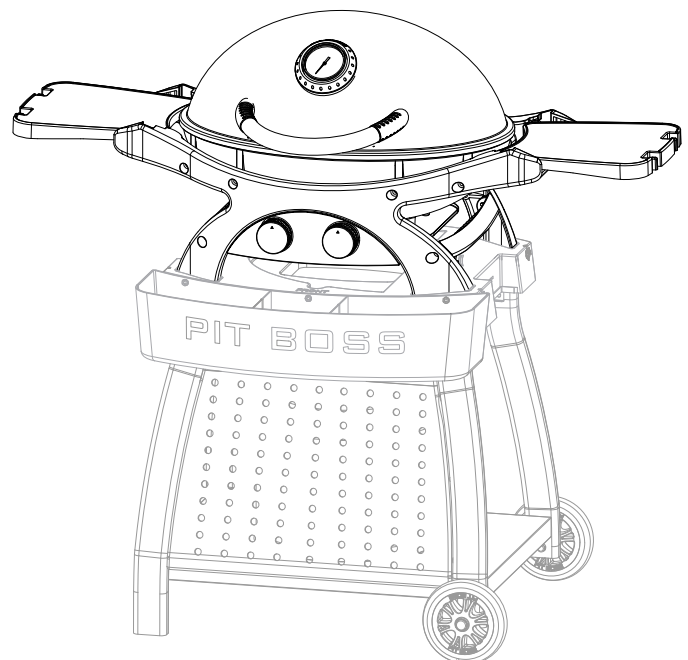
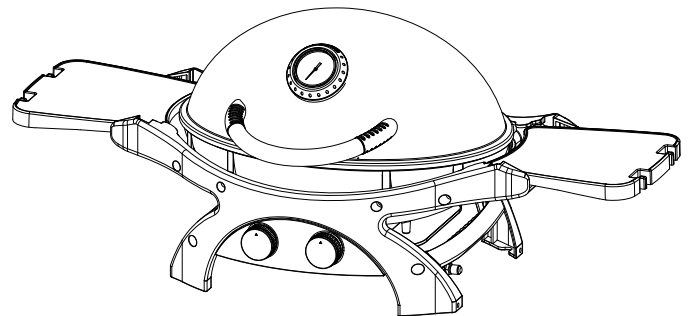
**AVVERTENZA:** LEGGERE L'INTERO MANUALE PRIMA DELL'INSTALLAZIONE E DELL'USO DI QUESTA APPARECCHIATURA A GAS. LA MANCATA OSSERVANZA DELLE ISTRUZIONI PUÒ CAUSARE DANNI ALLA PROPRIETÀ, LESIONI FISICHE O MORTE. CONTATTARE LE AUTORITÀ LOCALI COMPETENTI PER L'EDILIZIA O I VIGILI DEL FUOCO PER INFORMAZIONI SULLE RESTRIZIONI E SUI REQUISITI DI ISPEZIONE DEGLI IMPIANTI NELLA PROPRIA ZONA.

## TRAGBARER GASGRILL

WICHTIG: AUFMERKSAM LESEN UND GUT AUFBEWAHREN BITTE UNBEDINGT VOR GEBRAUCH DIE BEDIENUNGSANLEITUNG SORGFÄLTIG DURCHLESEN!

## GRIGLIA A GAS PORTATILE

IMPORTANTE: LEGGERE ATTENTAMENTE E CONSERVARE PER RIFERIMENTO FUTURO. LEGGERE IL MANUALE PRIMA DELL'USO.





**COPYRIGHT NOTICE**

Copyright 2020. All right reserved. No part of this manual may be copied, transmitted, transcribed, stored in a retrieval system, in any form or by any means without expressed written permission of,

**Dansons**

3411 North 5th Avenue, Suite 500, Phoenix, AZ, USA 85013  
 sales@pitboss-grills.com | service@pitboss-grills.com  
**www.pitboss-grills.com**

**Customer Service**

Monday through Sunday, 4am - 8pm PST (EN/FR/ES)  
**Toll-Free: 1-877-303-3134, Fax: 1-877-303-3135**

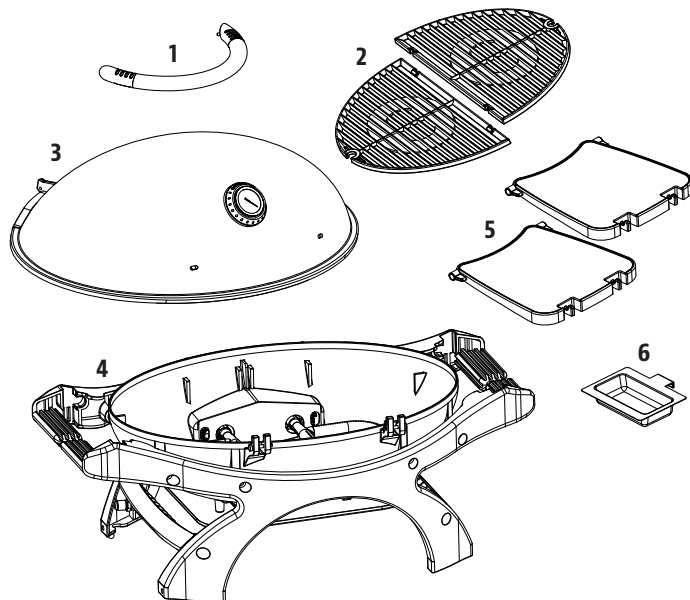
**TABLE OF CONTENTS**

Parts & Specs..... 2  
 Assembly Preparation..... 3  
 Assembly Instructions  
     Installing The Lid Handle..... 3  
     Mounting The Lid To The Body ..... 3  
     Installing The Side Shelves..... 4  
     Placing The Grease Tray..... 4  
     Installing The Cooking Grids..... 4

**PARTS & SPECS**

Part#	Description
1	Lid Handle (x1)
2	Cooking Grid (x2)
3	Lid (x1)
4	Body (x1)
5	Side Shelf (x2)
6	Grease Tray (x1)

*NOTE: Due to ongoing product development, parts are subject to change without notice. Contact Customer Service if parts are missing when assembling the unit.*



MODEL	ASSEMBLED (WxDxH)	WEIGHT	COOKING AREA	HEAT INPUT
<b>PB</b> PB2BPGG	1,175 X 578 X 461 MM / 46.2 X 22.7 X 18.1 IN	18.0 KG / 39.68 LB	1,946 CM <sup>2</sup> / 301.6 IN <sup>2</sup>	5.2 KW

# ASSEMBLY PREPARATION

Parts are located throughout the shipping carton, including underneath the grill. Inspect the grill, parts, and hardware blister pack after removing from the protective shipping carton. Discard all packaging materials from inside and outside of the grill before assembly, then review and inspect all parts by referencing the parts list. If any part is missing or damaged, do not attempt to assemble. Shipping damage is not covered under warranty. Contact your dealer or Pit Boss® Customer Service for parts: Monday through Sunday, 4am - 8pm PST (EN/FR/ES).

[service@pitboss-grills.com](mailto:service@pitboss-grills.com) | TOLL-FREE: 1-877-303-3134 | TOLL-FREE FAX: 1-877-303-3135

**IMPORTANT:** To ease installation, using two people is helpful (but not necessary) when assembling this unit.

# ASSEMBLY INSTRUCTIONS

**IMPORTANT:** It is advised to read each step entirely before starting assembly on instructions.

## 1. INSTALLING THE LID HANDLE

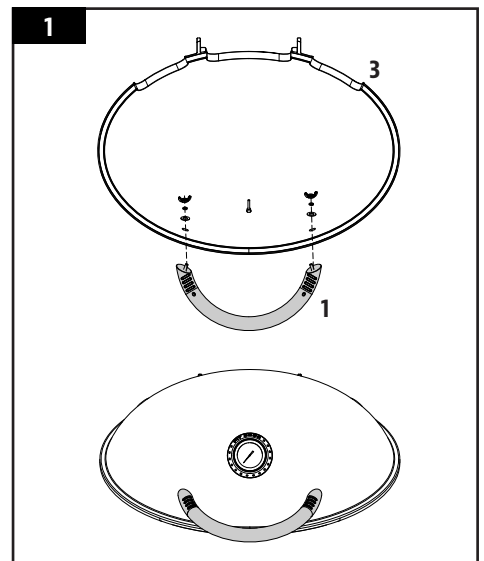
### Parts Required:

- 1 x Lid Handle (#1)
- 1 x Lid (#3)

### Installation:

- First, remove the pre-installed hardware from the Lid Handle.
- Place the Lid Handle into the two holes on the thermometer-side of the Lid. From the inside of the Lid, fasten the Lid Handle with the previously removed hardware: place the washer, locking washer, then lock with the wing-nut. Repeat for other end of Lid Handle.

**NOTE:** Do not over-tighten the wing-nuts. Only a snug fit is necessary.



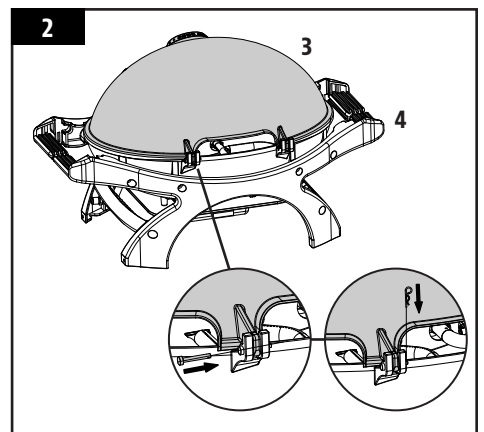
## 2. MOUNTING THE LID TO THE BODY

### Parts Required:

- 1 x Lid (#3)
- 1 x Body (#4)

### Installation:

- First, remove the pre-installed Axle Pin and Cotter Pin from the hinge brackets on the Body.
- Next, lift and carefully place the Lid onto the Body, aligning the hinge brackets into each other. Anchor both hinge brackets by inserting the previously removed Axle Pins and securing each with an Cotter Pin.



### 3. INSTALLING THE SIDE SHELVES

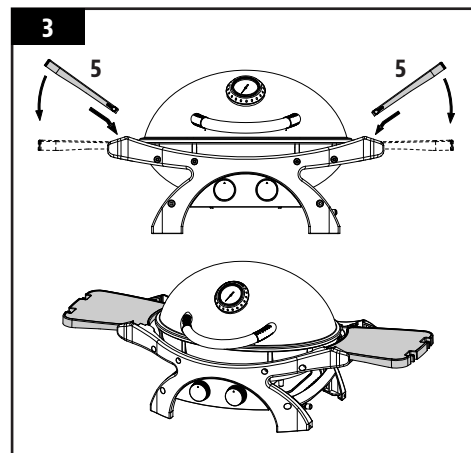
**Parts Required:**

2 x Side Shelf (#5)

**Installation:**

- Install each Side Shelf into the side shelf brackets on either side of the body frame.

**NOTE:** Insert the corner pins of the mounting side of the shelf into the brackets at an upward angle, then tilt downward.



### 4. PLACING THE GREASE TRAY

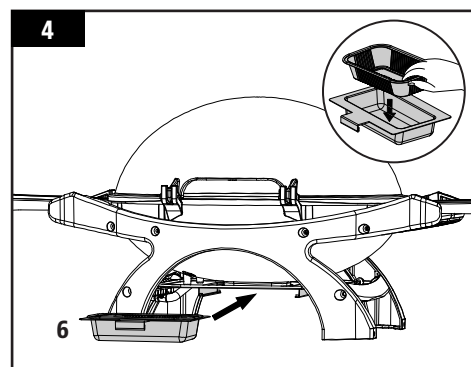
**Parts Required:**

1 x Grease Tray (#6)

**Installation:**

- On the back of the unit, place the Grease Tray into the Grease Tray brackets, as shown in the illustration.

**NOTE:** The Grease Tray has an aluminum foil lining for easy cleaning after cooking. Check regularly and replace the aluminum foil liner if necessary.



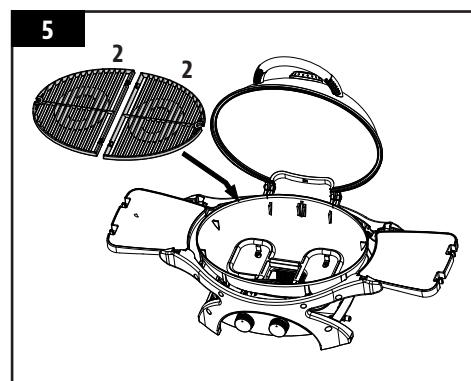
### 5. INSTALLING THE COOKING GRIDS

**Parts Required:**

2 x Cooking Grid (#2)

**Installation:**

- Place the Cooking Grids, side by side, on the grid ledges inside the Body of the grill.
- The unit is now completely assembled.



**Refer to Owner's Manual for Operating Instructions.**